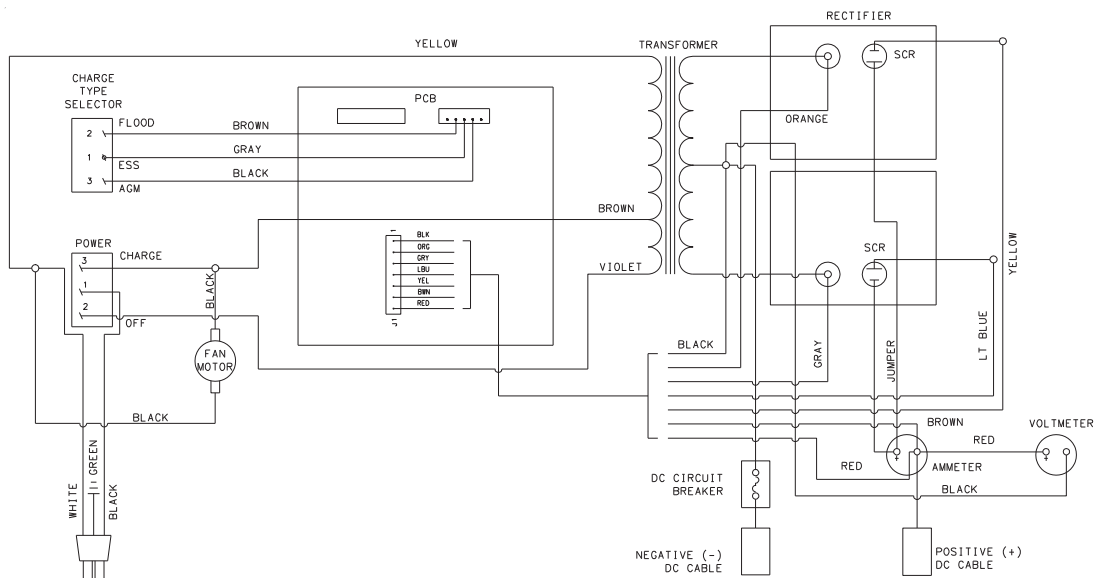


WIRING DIAGRAM



MODEL 6066A PART LIST

Switch w/knob .....	611167	Fan Motor .....	610190
Ammeter .....	605204	Handle (optional accessory) .....	610057
Voltmeter .....	610058	Side Panels (1 pair) .....	610253
AC Cord .....	611248	Top Panel .....	610075
DC Cable Set .....	605628	Base .....	611150
Rectifier Assembly (1) .....	611362	Front Panel .....	611320
Circuit Breaker .....	610536	Back Panel .....	611321
Printed Circuit Board Assembly .....	611436	Transformer .....	611363
Fan Blade .....	610189		